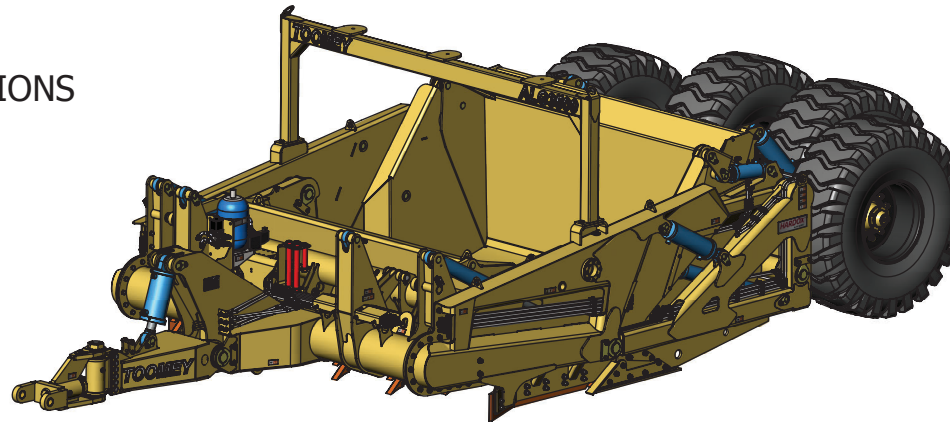


ALG3500 B

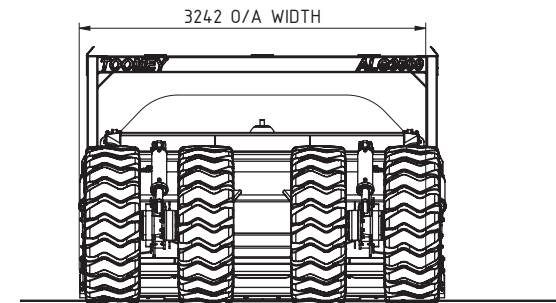
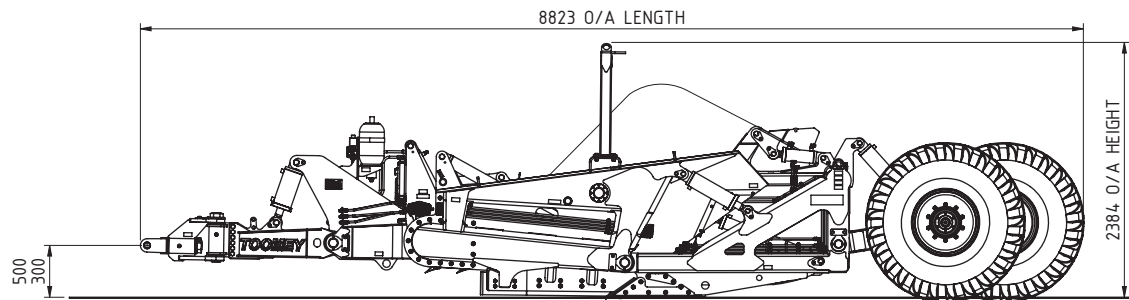
DETAILED FEATURES & SPECIFICATIONS



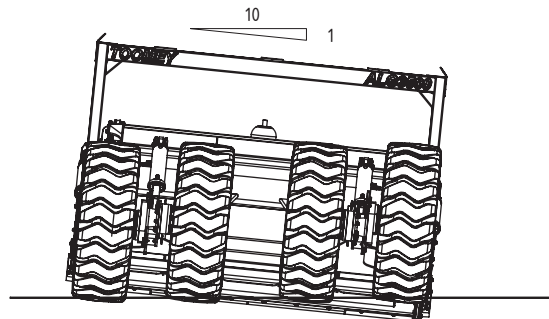
SPECIFICATIONS

STRUCK CAPACITY:	8.0 m ³
HEAPED CAPACITY:	10.0 m ³
TARE MASS:	10990 kg
RATED PAYLOAD:	15000 kg
APPROX. WEIGHT DISTR.	
TRACTOR DRAWBAR:	36%
REAR WHEELS:	64%
HYDRAULICS:	
REQUIRED FLOW:	140 lpm
REQUIRED PRESSURE:	3000 psi
RECOMMENDED	
TRACTOR RIM PULL ¹ :	TBA
TRACTOR POWER:	TBA

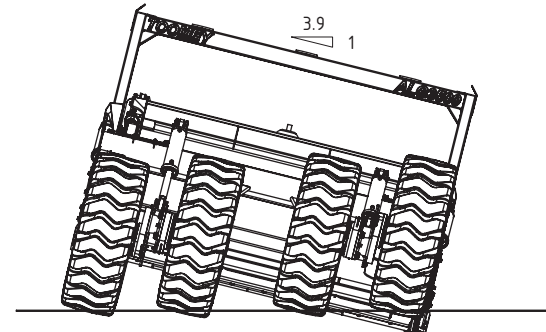
NOTES:
¹ RIM PULL AT A GROUND SPEED OF 6 - 10 kph



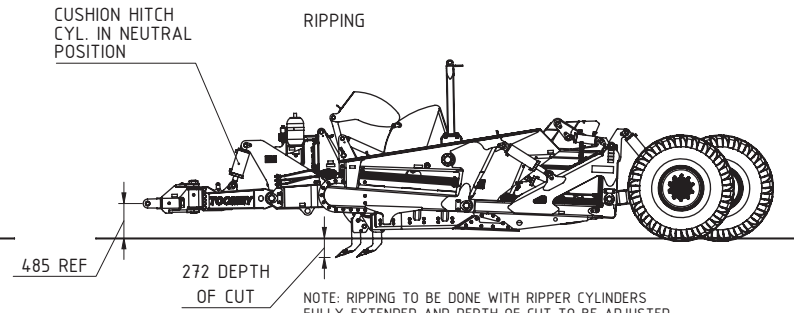
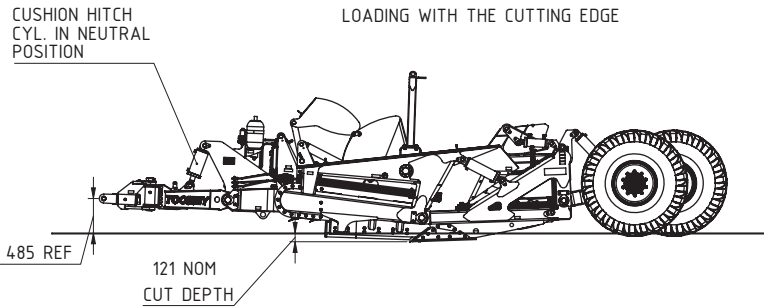
MAX. AUTO CROSS SLOPE
 (SINGLE CYLINDER OPERATION)



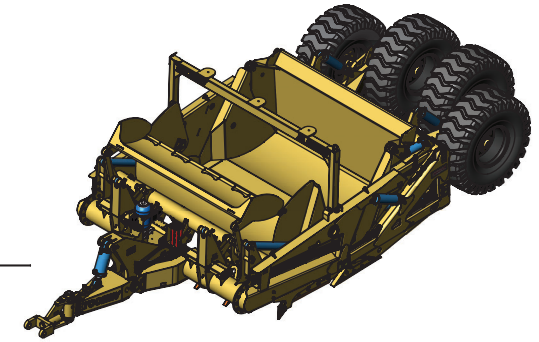
MAX. MANUAL CROSS SLOPE
 (DUAL CYLINDER OPERATION)



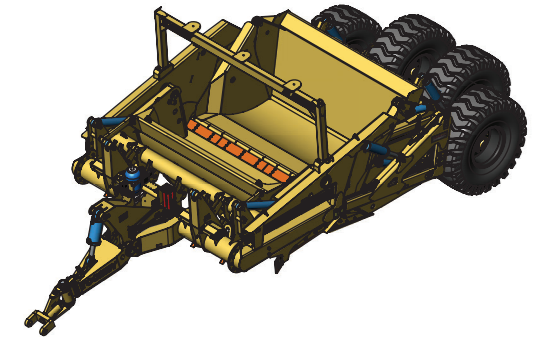
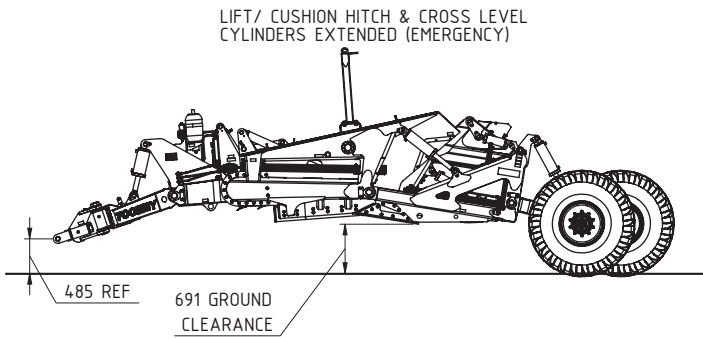
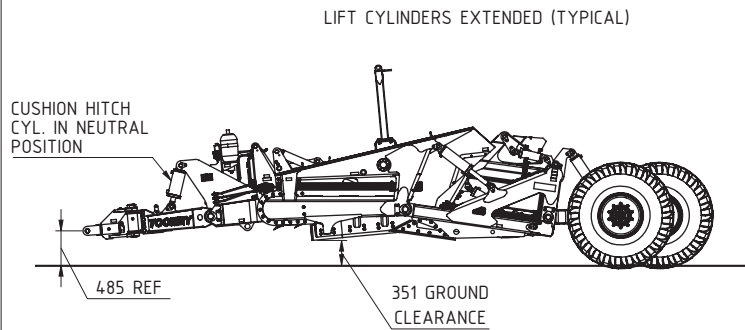
LOADING/CUTTING CONFIGURATION



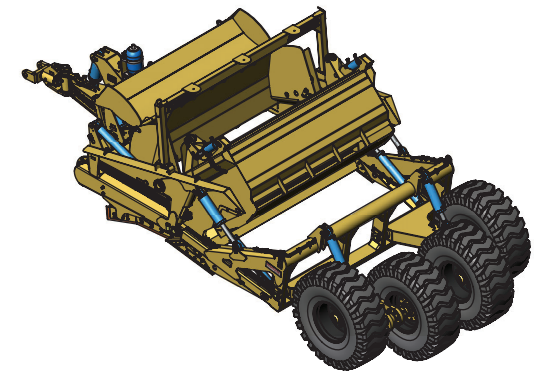
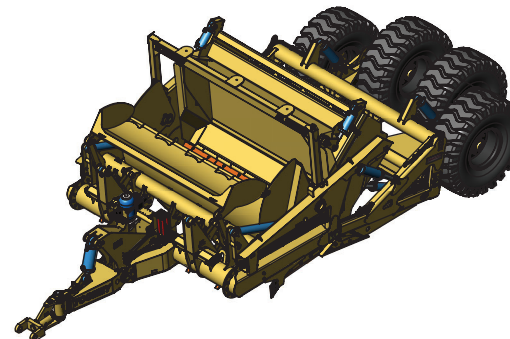
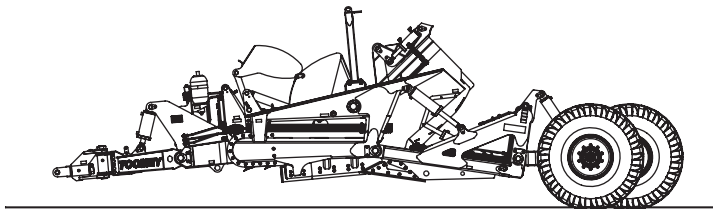
NOTE: RIPPING TO BE DONE WITH RIPPER CYLINDERS FULLY EXTENDED AND DEPTH OF CUT TO BE ADJUSTED WITH LIFT CYLINDERS. RIPPING WITH RIPPERS PARTIALLY LOWERED (SIMULTANEOUS RIP & LOAD) REQUIRES FITMENT OF LOAD HOLD VALVES ON RIPPER CYLINDERS.



LOADED/TRAVELLING CONFIGURATION



UNLOADING CONFIGURATION



NOTE: DIMENSIONS SHOWN ARE TO BE USED AS A GUIDE ONLY AND CAN BE AFFECTED BY ACTUAL TYRE DIAMETER, TYRE PRESSURE AND TRACTOR DRAWBAR HEIGHT.

PAGE

2-2

TITLE

ALG3500 LASER GRADER SPECIFICATIONS

DRAWING No.

A-3502

TOOMEY
EARTHMOVERS
WWW.TOOMEYEARTHMOVERS.COM