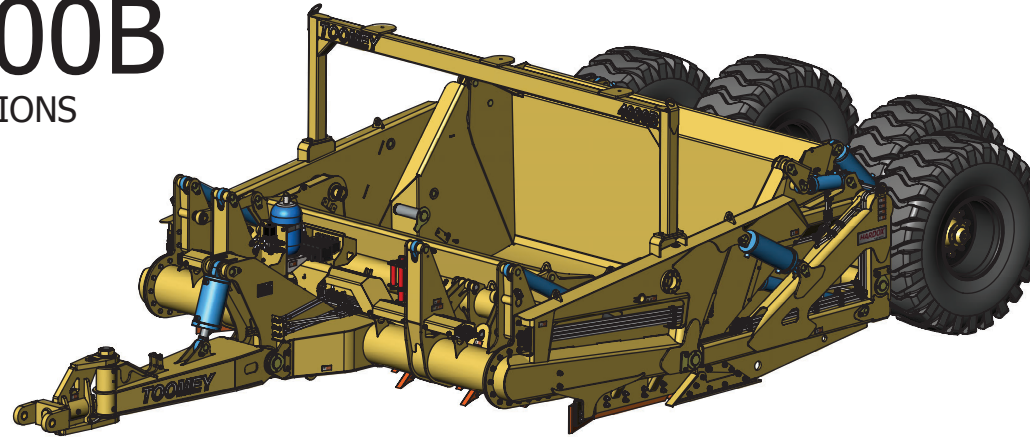


TOOMEY 4000B

DETAILED FEATURES & SPECIFICATIONS



SPECIFICATIONS

STRUCK CAPACITY: 9.0 m³
HEAPED CAPACITY: 13.5 m³

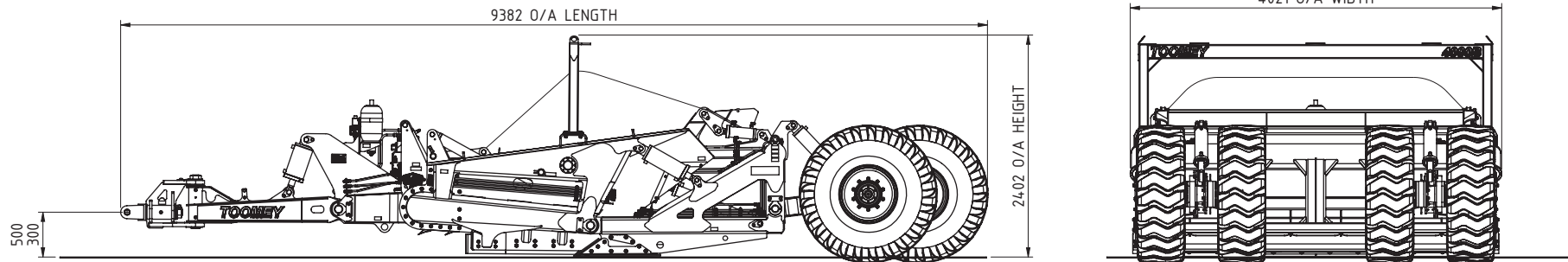
TARE MASS: 11500 kg
RATED PAYLOAD: 22000 kg

APPROX. WEIGHT DISTR.
TRACTOR DRAWBAR: 35%
REAR WHEELS: 65%

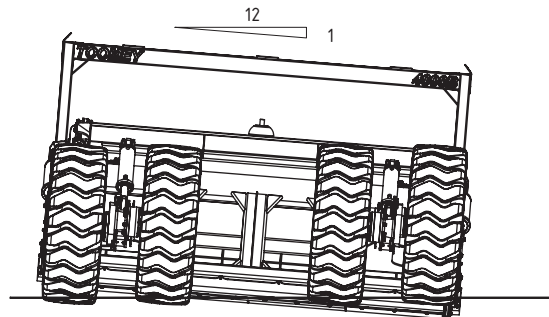
HYDRAULICS:
REQUIRED FLOW: 180 lpm
REQUIRED PRESSURE: 3000 psi

RECOMMENDED
TRACTOR RIM PULL¹: 130 kN
TRACTOR POWER: 400 HP

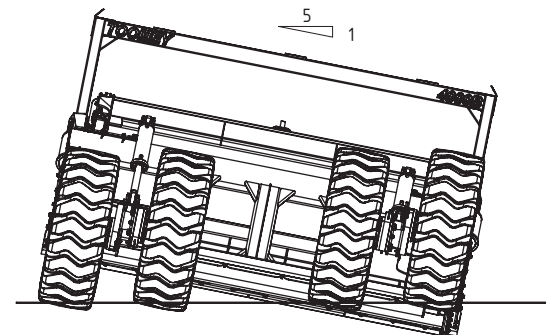
NOTES:
1) RIM PULL AT A GROUND SPEED OF 6 - 10 kph



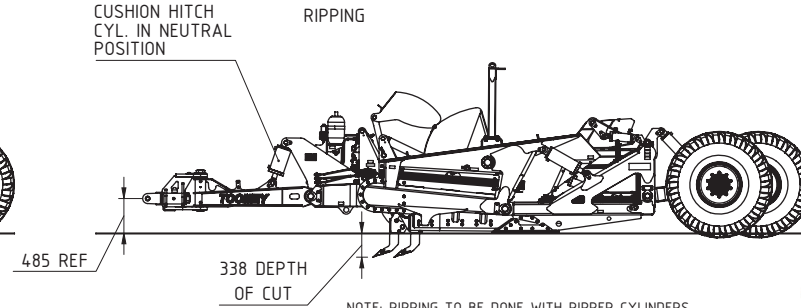
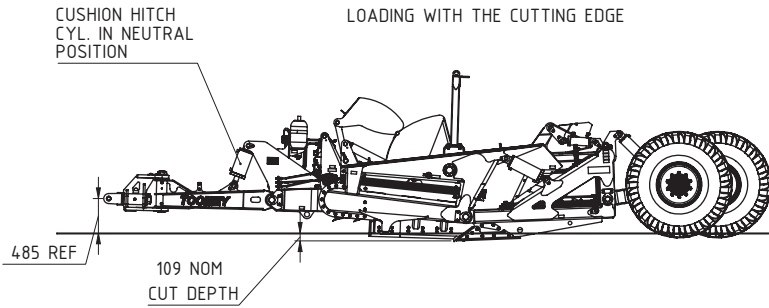
MAX. AUTO CROSS SLOPE
(SINGLE CYLINDER OPERATION)



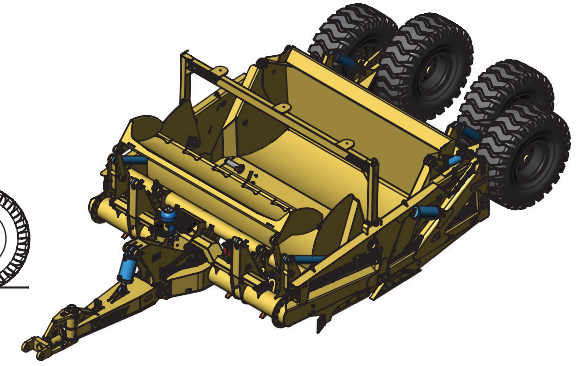
MAX. MANUAL CROSS SLOPE
(DUAL CYLINDER OPERATION)



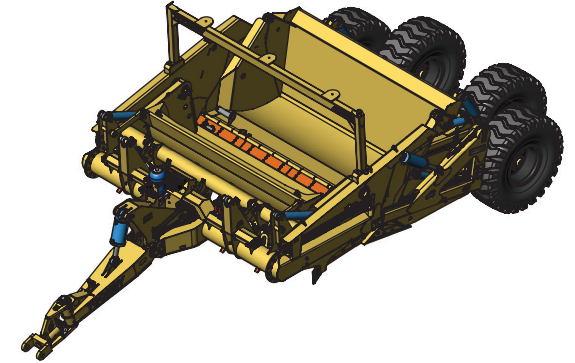
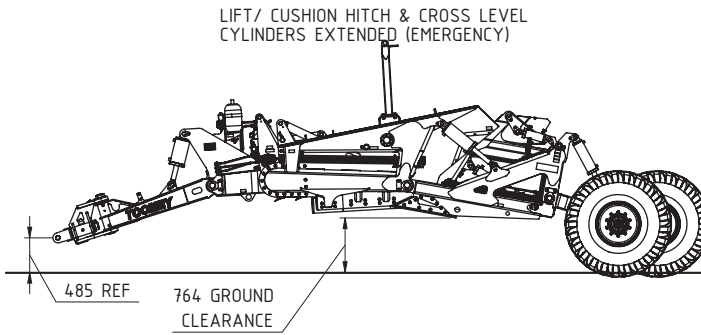
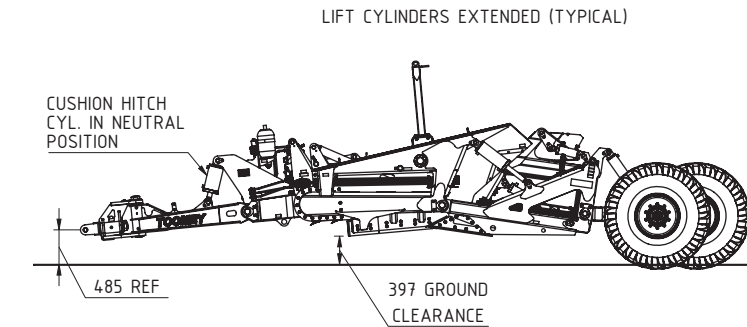
LOADING/CUTTING CONFIGURATION



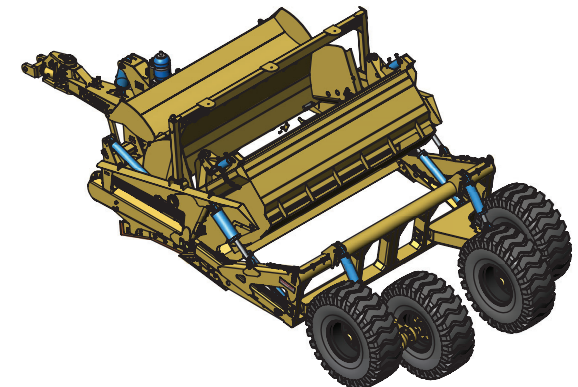
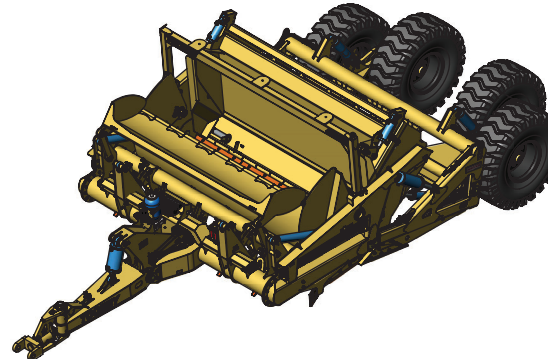
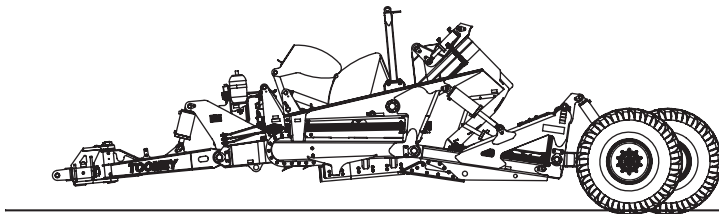
NOTE: RIPPING TO BE DONE WITH RIPPER CYLINDERS FULLY EXTENDED AND DEPTH OF CUT TO BE ADJUSTED WITH LIFT CYLINDERS. RIPPING WITH RIPPERS PARTIALLY LOWERED (SIMULTANEOUS RIP & LOAD) REQUIRES FITMENT OF LOAD HOLD VALVES ON RIPPER CYLINDERS.



LOADED/TRAVELLING CONFIGURATION



UNLOADING CONFIGURATION



NOTE: DIMENSIONS SHOWN ARE TO BE USED AS A GUIDE ONLY AND CAN BE AFFECTED BY ACTUAL TYRE DIAMETER, TYRE PRESSURE AND TRACTOR DRAWBAR HEIGHT.

PAGE

2-2

TITLE

4000B LASER GRADER SPECIFICATIONS

DRAWING No.

A-4002B

TOOMEY
EARTHMOVERS
WWW.TOOMEYEARTHMOVERS.COM