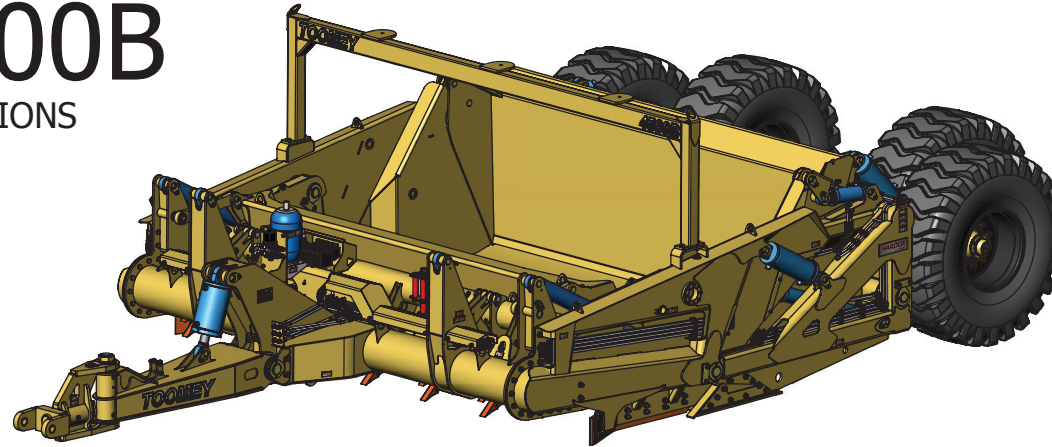


TOOMEY 4500B

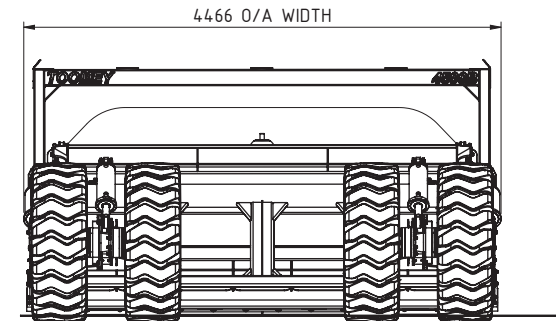
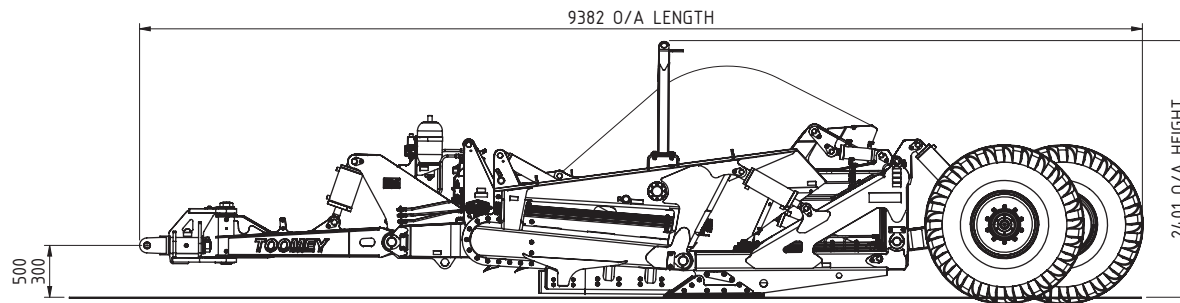
DETAILED FEATURES & SPECIFICATIONS



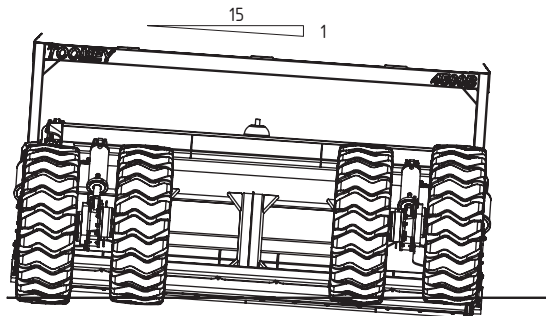
SPECIFICATIONS

STRUCK CAPACITY:	10.4 m ³
HEAPED CAPACITY:	15.5 m ³
TARE MASS:	12500 kg
RATED PAYLOAD:	25000 kg
APPROX. WEIGHT DISTR.	
TRACTOR DRAWBAR:	35%
REAR WHEELS:	65%
HYDRAULICS:	
REQUIRED FLOW:	196 lpm
REQUIRED PRESSURE:	3000 psi
RECOMMENDED	
TRACTOR RIM PULL ¹ :	145 kN
TRACTOR POWER:	450 HP

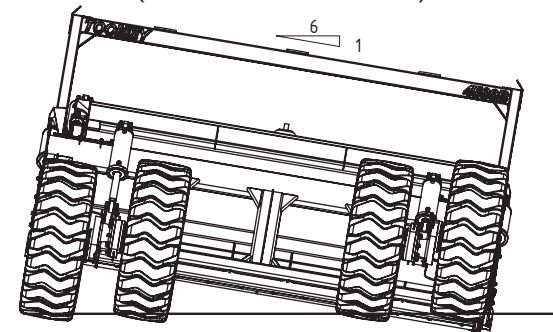
NOTES:
1) RIM PULL AT A GROUND SPEED OF 6 - 10 kph



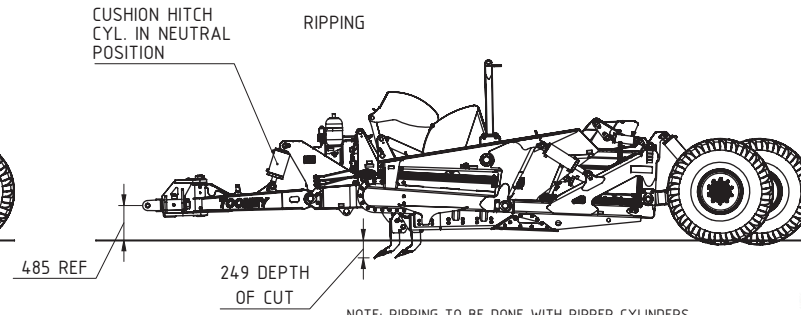
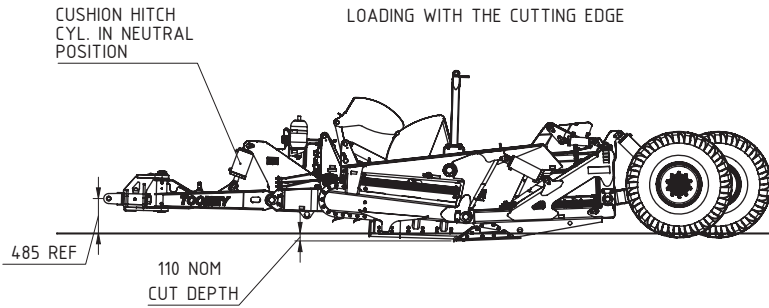
MAX. AUTO CROSS SLOPE
(SINGLE CYLINDER OPERATION)



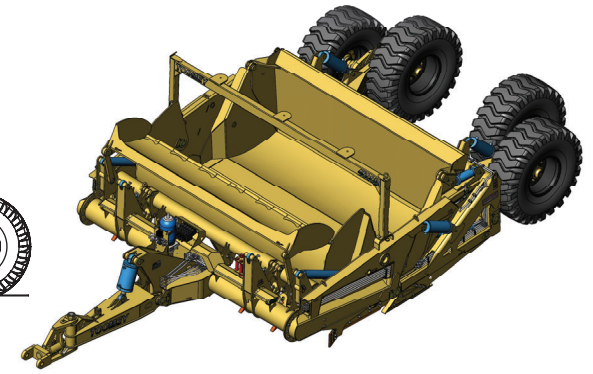
MAX. MANUAL CROSS SLOPE
(DUAL CYLINDER OPERATION)



LOADING/CUTTING CONFIGURATION

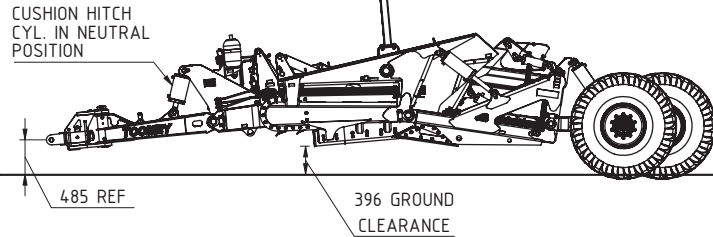


NOTE: RIPPING TO BE DONE WITH RIPPER CYLINDERS FULLY EXTENDED AND DEPTH OF CUT TO BE ADJUSTED WITH LIFT CYLINDERS. RIPPING WITH RIPPERS PARTIALLY LOWERED (SIMULTANEOUS RIP & LOAD) REQUIRES FITMENT OF LOAD HOLD VALVES ON RIPPER CYLINDERS.

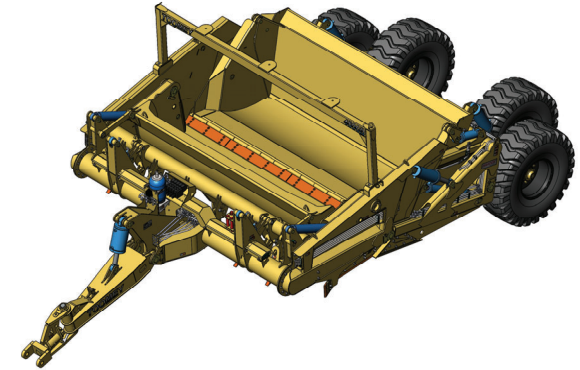
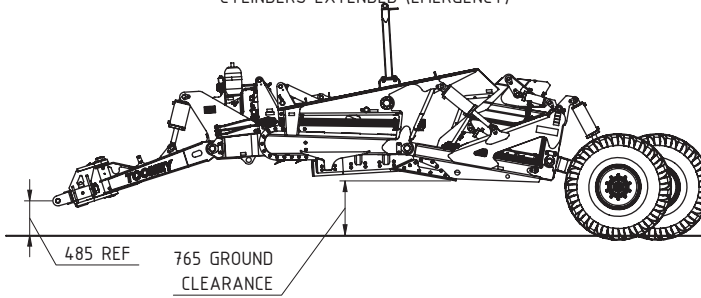


LOADED/TRAVELLING CONFIGURATION

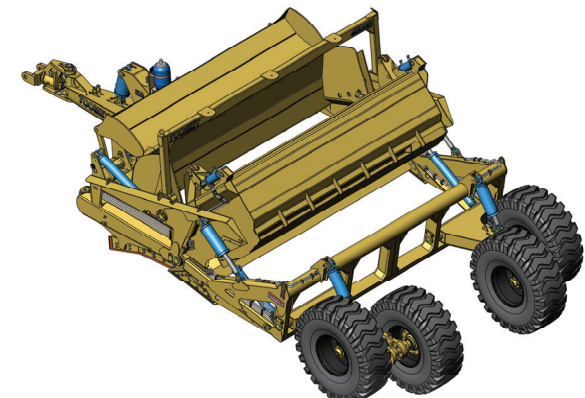
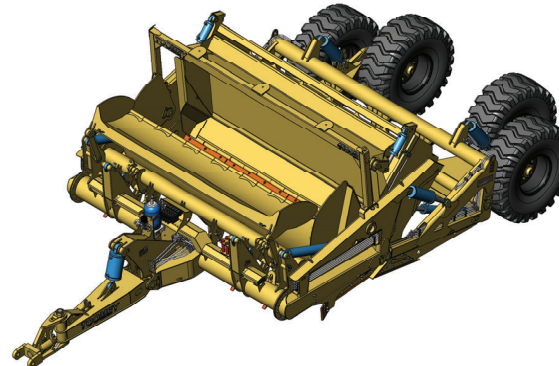
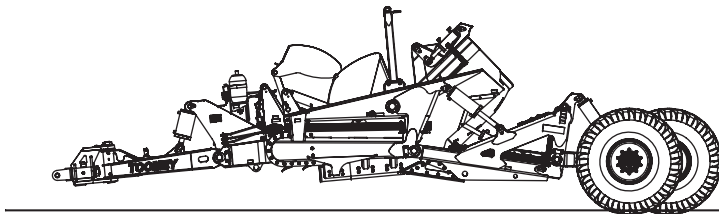
LIFT CYLINDERS EXTENDED (TYPICAL)



LIFT/ CUSHION HITCH & CROSS LEVEL CYLINDERS EXTENDED (EMERGENCY)



UNLOADING CONFIGURATION



NOTE: DIMENSIONS SHOWN ARE TO BE USED AS A GUIDE ONLY AND CAN BE AFFECTED BY ACTUAL TYRE DIAMETER, TYRE PRESSURE AND TRACTOR DRAWBAR HEIGHT.

PAGE

2-2

TITLE

4500B LASER GRADER SPECIFICATIONS

DRAWING No.

A-4502B

TOOMEY
EARTHMOVERS
WWW.TOOMEYEARTHMOVERS.COM