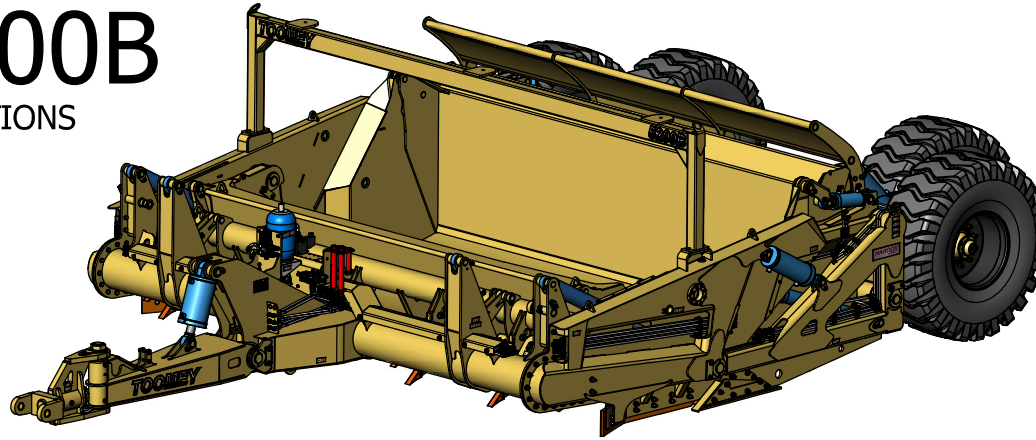


TOOMEY 5200B

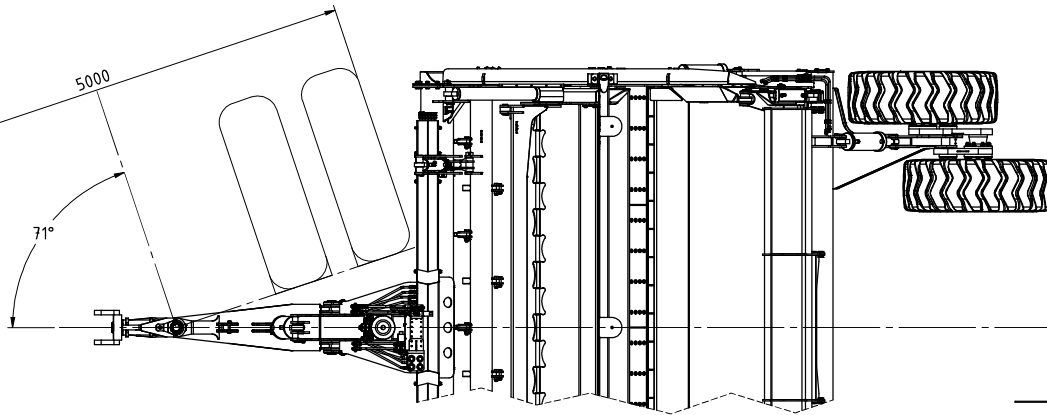
DETAILED FEATURES & SPECIFICATIONS



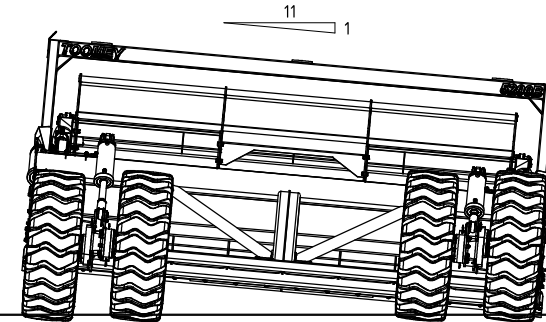
SPECIFICATIONS

STRUCK CAPACITY:	12.0 m ³
HEAPED CAPACITY ¹ :	17.0 m ³
TARE MASS:	15000 kg
RATED PAYLOAD:	27000 kg
APPROX. WEIGHT DISTR.	
TRACTOR DRAWBAR:	35%
REAR WHEELS:	65%
HYDRAULICS:	
REQUIRED FLOW:	196 lpm
REQUIRED PRESSURE:	3000 psi
RECOMMENDED TRACTOR RIM PULL ² :	150 kN
TRACTOR POWER:	500 HP

NOTES:
 1) HEAPED CAPACITY GIVEN IS REALISTIC VALUE, RATING TO ISO 6485 IS 18.7m³
 2) RIM PULL AT A GROUND SPEED OF 6 - 10 kph

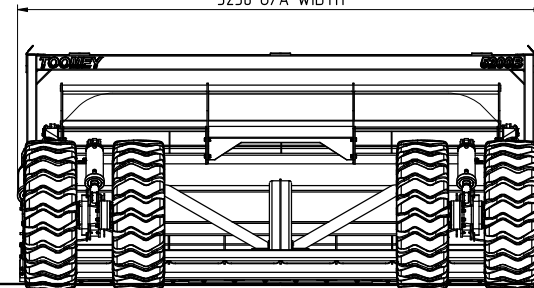
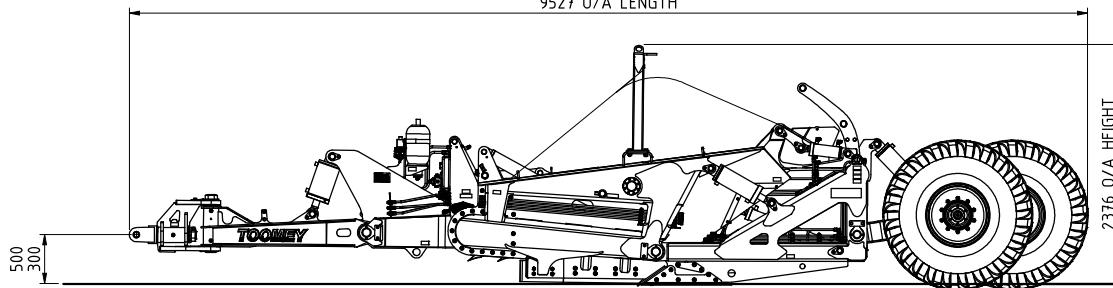


MAX. AUTO CROSS SLOPE

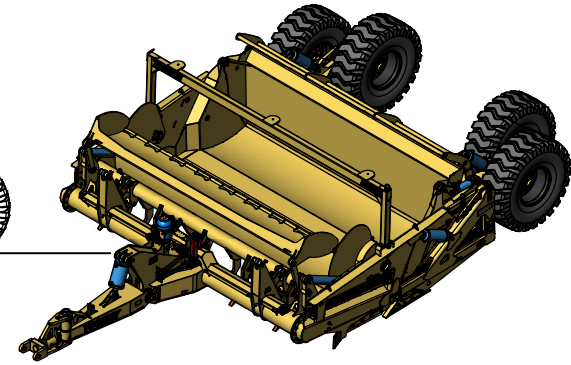
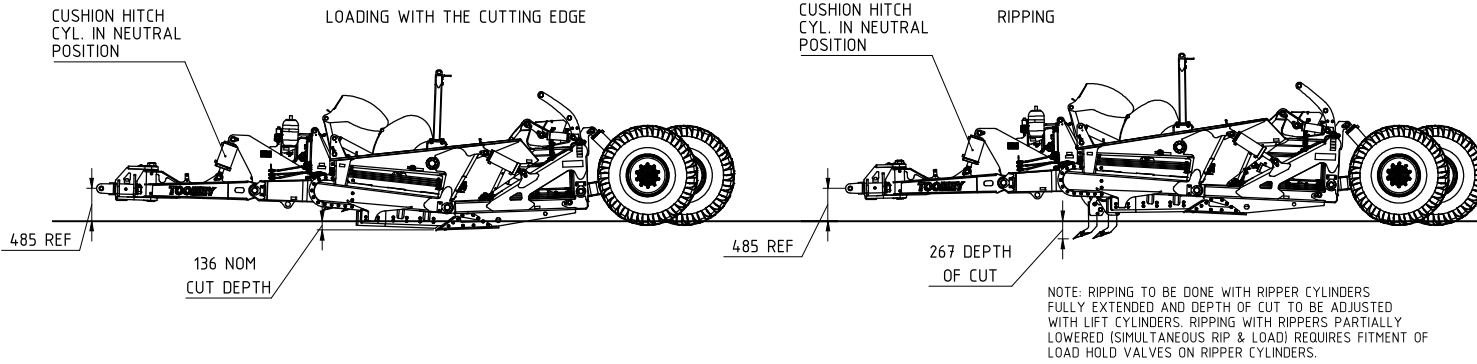


9527 O/A LENGTH

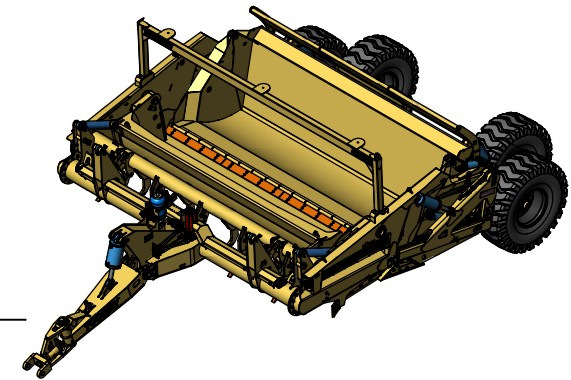
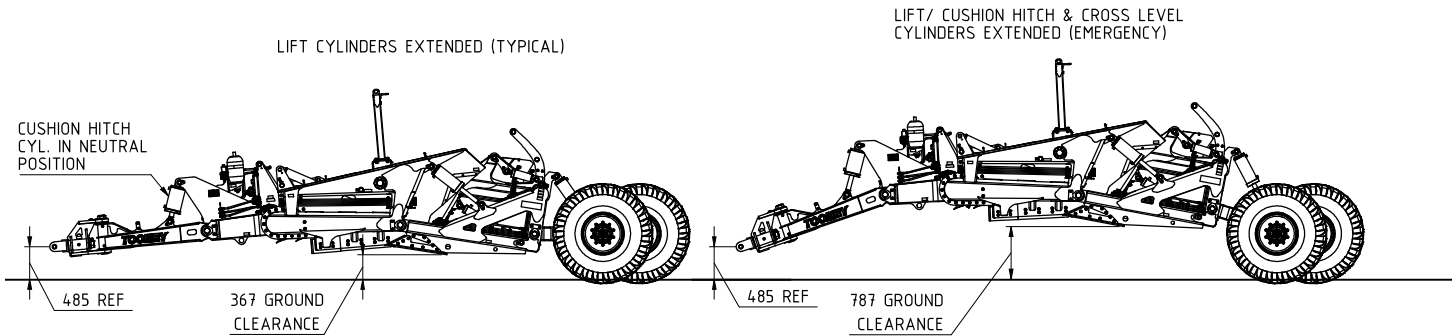
5236 O/A WIDTH



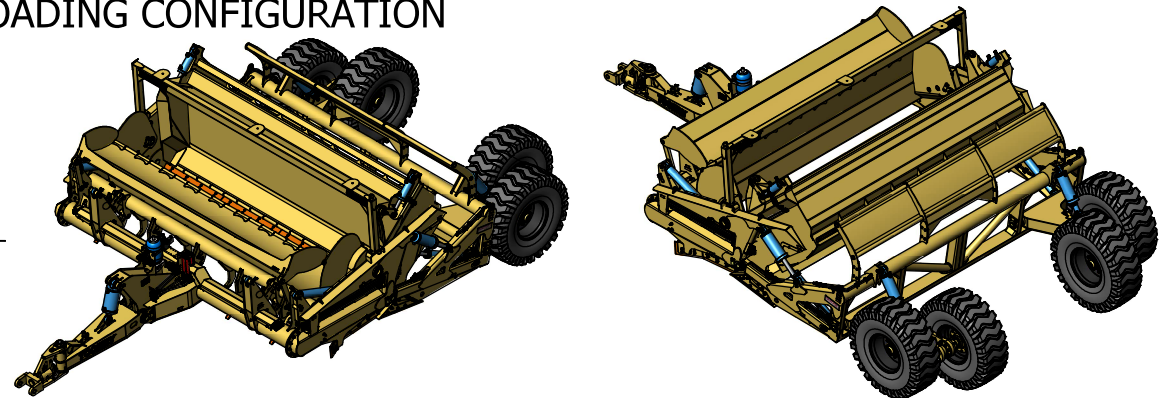
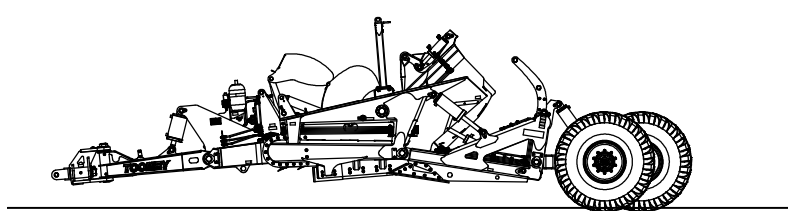
LOADING/CUTTING CONFIGURATION



LOADED/TRAVELLING CONFIGURATION



UNLOADING CONFIGURATION



NOTE: DIMENSIONS SHOWN ARE TO BE USED AS A GUIDE ONLY AND CAN BE AFFECTED BY ACTUAL TYRE DIAMETER, TYRE PRESSURE AND TRACTOR DRAWBAR HEIGHT.

PAGE
2/2

TITLE
5200B SCRAPER GRADER SPECIFICATIONS
DRAWING No.
A-5202B

TOOMEY
EARTHMOVERS
WWW.TOOMEYEARTHMOVERS.COM